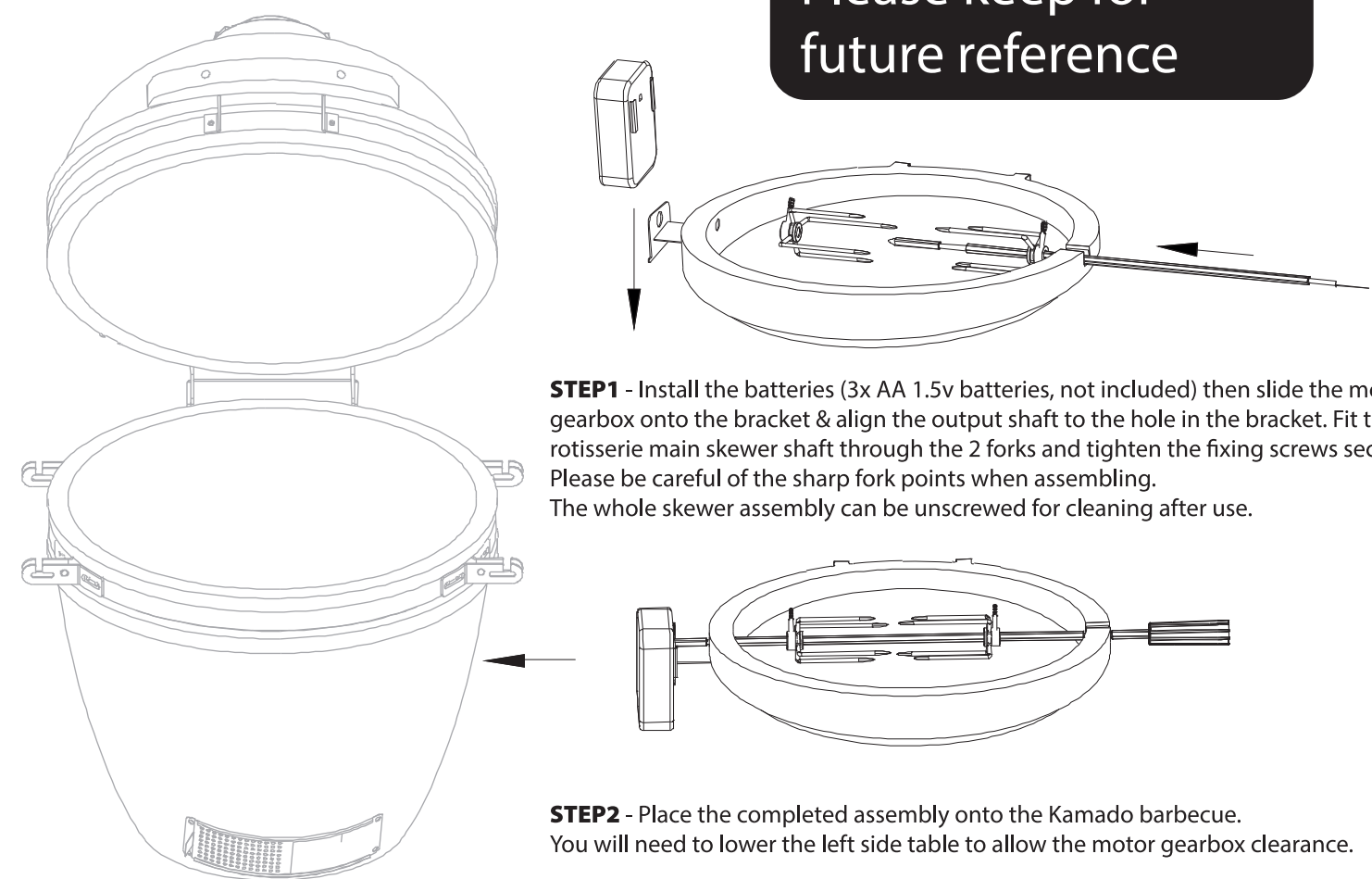




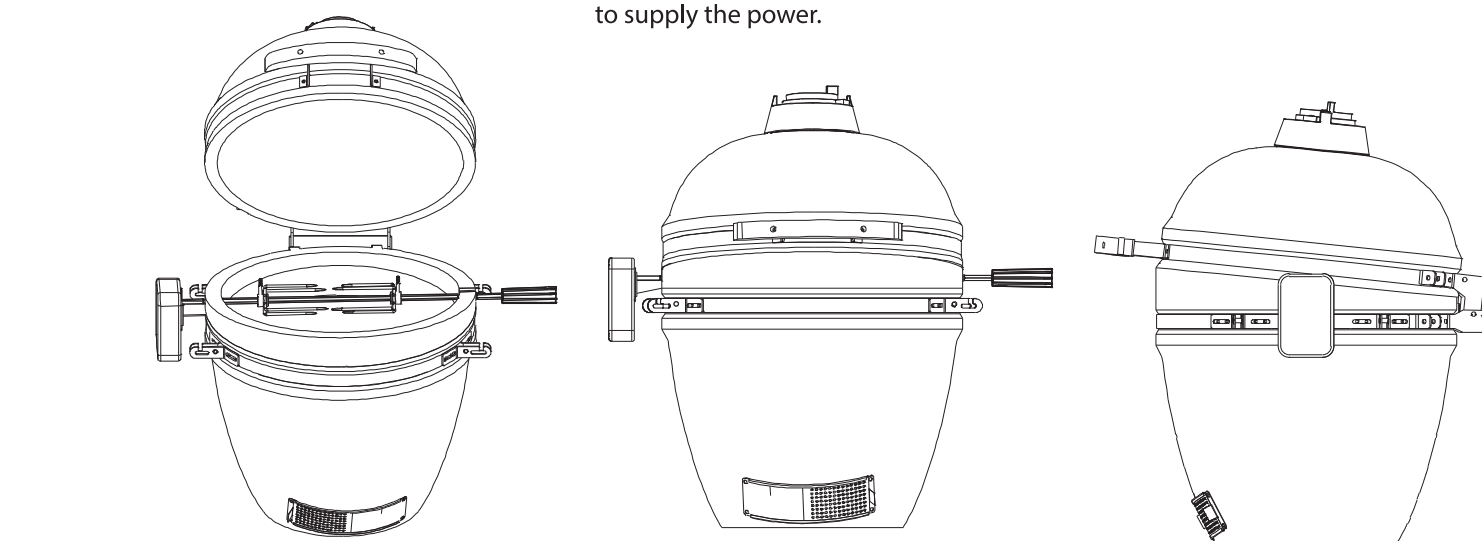
Rotisserie Assembly Instructions

No tools required for assembly of the rotisserie unit.

User Instructions
Please keep for future reference

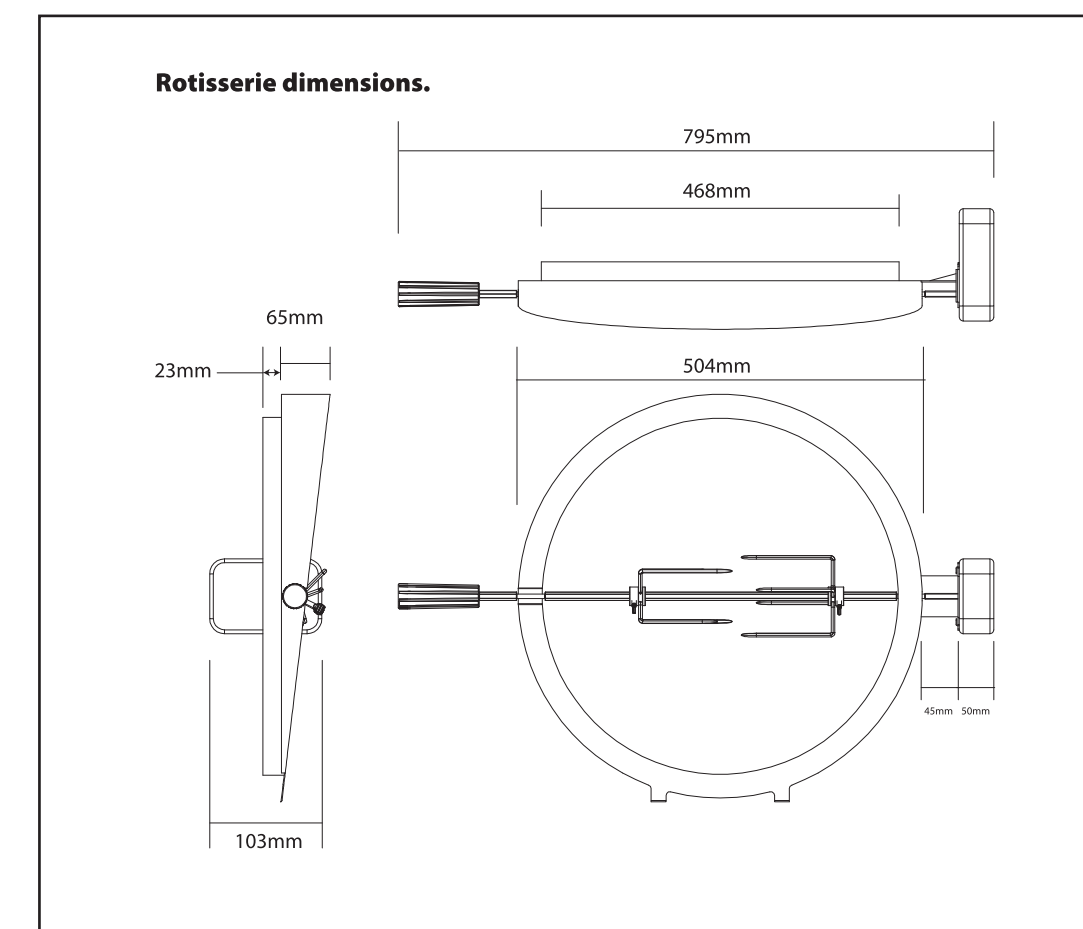


STEP1 - Install the batteries (3x AA 1.5v batteries, not included) then slide the motor gearbox onto the bracket & align the output shaft to the hole in the bracket. Fit the rotisserie main skewer shaft through the 2 forks and tighten the fixing screws securely. Please be careful of the sharp fork points when assembling. The whole skewer assembly can be unscrewed for cleaning after use.



STEP2 - Place the completed assembly onto the Kamado barbecue. You will need to lower the left side table to allow the motor gearbox clearance.

STEP3 - Complete & ready for cooking. The batteries can power the rotisserie for many hours of cooking. You can also use a separate 5v mains adapter (not included) to supply the power.



We hope you are happy with your rotisserie. In case of any problems please contact us and we will do our best to put it right! Thank you.



Bar-Be-Quick - Rectella International Ltd, Bancroft Road, Burnley, Lancs BB10 2TP.
<https://www.barbequick.com/grillguide/>
Call: +44 (0)1282 478200

BQ3842-1a



Rectella International Ltd
Bancroft Road Burnley
Lancs BB10 2TP
England
Tel 44 (0)1282 478200
Fax 44 (0)1282 478215
email sales@rectella.com
www.barbequick.com

Previous artwork updated from BQ????

Issue	Description	Date
a	Original issue	25-01-22
Project No	BQ3842	Job No 1
Title	Kamado Rotisserie Build Instructions	
Created by	SH	Date 14-01-22
Customer	Supplier	
Notes		



Important notice to printer regarding barcodes
Any printed barcode must be verified at commencement of each print run to ensure it will scan within tolerances set by the GS1 Global Barcoding Standards

This drawing and information it contains is the sole property of Rectella International Ltd. and is not to be copied or reproduced either wholly or in-part without the prior consent of Rectella International Ltd.

© Rectella International Limited
Bancroft Road Burnley Lancs BB10 2TP



BARCODE xxxxxxxxxxxx

100% DUMMY BARCODE

